

7FOUR  
MEDIA



**OCTOBER 2015**



**TERC TORQUE**





**Cover Photo By:**

**7four Media—Darren Brumby**

**www.taserc.com.au**

**info@taserc.com**

**TERC PO BOX 373, Ulverstone, Tas  
7315**

**Who to blame.....**

**President:** Kayne Davern 0407 434 110

**Vice Presidents:** Colin Stone and Jakeb Jacques

**Secretary:** Ashlea Fenton

**Treasurer:** Kim Brumby 0417 010 876

**Auditor:** Steven (Lovell & Morrison)

**Public Officer:** Rod Hudson

**Memberships/Records Keeper:**

Ashlea Fenton 0438 588 291

**Website Editor:**

Ashlea Fenton 0438 588 291

**Newsletter Editor:**

Thalia McCall

**Results Officer/Computer System:**

Stuart Chugg (Life Member)

**Series Points Officer:**

Stuart Chugg (Life Member)

**Junior-Trail C & PW'S Results Officer(s):**

TBA

**First aid & Public Officer:** Rod Hudson

**Publicity Officer(s) Advertising:** Kayne Davern

**Pee Wee Rep:** Lyndon O'Neill

**Junior Rep:** Chris Bugeja

**Quad Reps:** Clinton and Troy Sheridan

**Ladies Rep:** Melissa Templar

**Promotions Officer:** Daniel Fenton

**Photographers:** Alli Murfett & Darren Brumby

**Truck and Caravan Officer(s):** Scott Murfet

**Porta Loo's (Peg Trailer):** Scott Murfet

**Committee Members:**

Jeff Bakes, Conor Bird, Lincoln Bird, Cameron Britt, Baylee Davies, Sam Dolbel, Matt Eustace, Shannan Logan, Andrew Squibb, Katrina Squibb, Leah Stone & Brett Wilson.

**Life Members:**

John Homes #38

John Humphries #71

Tom Bentley #84

Barry Richardson Senior #67 & Quad #3

Rod Hudson #14

Greg Jacques #11

Michael Keygan #50

Royce Smith #259

Stuart Chugg #132

Bill Broad #19

Matt Woodhouse #141

Hi all,

The final round of the Barry Richardson memorial grass track series sponsored by motorcycle scene/ can am has been run and won. It was so pleasing that the weather allowed us to complete a full weekend of racing at west pine,

Saturday was a perfect day with good numbers to Finnish off the year for juniors. Well done too everyone that turned up and competed. As that was it for juniors I'd like to thank all those who helped the club out this year on junior day.

\* Don't forget the junior presentation day\*

I hope to see you all for a catch up.

Sunday, senior day and large numbers and spectators rolled into the paddock. Isn't this a prime property for racing with awesome viewing for all. We club can't thank Derek Gee enough for allowing us to race on his farm, congratulations goes out to all place getters.

We now turn our full attention towards the A4DE in 3 weeks, this is an exciting time for Tasmania so get around this event and remember, if you aren't racing please chip in and help.

We wish the tassie guys and girls all the best.

Loyeta is the venue for our last event of the year (senior 8 hr) so get along make this a big day/ weekend and Finnish off our season in style.

So till then stay safe

Kayne

## JUNIOR CHAT

Hi all,

Well what a way to finish the end of the season, great day weather wise, awesome track thanks Derek Gee and 2 crashes that ended up at hospital 1 with only bruising and the other with a broken collar bone on one arm and a broken wrist on the other, so I hope you have a speedy recovery Ayden. Thanks to Rod for the first aid given to the 2 boys, you are one of the pillars of the club which we appreciate.

So I will see you all at the junior presentation day.

One last thing I would like to say a big thank you to Kayne for doing an awesome job being president, Jaykob & Andrew for the countless hours track building with the other track builders that helped during the year, Darren, Ali & Jessica for the awesome photos, Rachel for the scoring also the rest of the committee members who helped during the year and last but not least the ladies in the caravan.

Remember have fun and ride safe.

Cheers Chris



## QUAD REPORT

### A Grade

1st Andrew Jackson

2nd Clinton Sheridan

3rd Jedd Atkins-Denby

### B Grade

1st Kalila Bakes

2nd Michael Gee

3rd Jesse Gee

First couple of heats saw some close racing between Andrew Jackson & Clinton Sheridan with both taking out one heat each. 3rd heat saw Andrew Jackson take out heat & therefore take out the day – well done Andrew some nice racing.

First heat saw new comer Jack Chilcott crashing out and not able to compete for the rest of the day – glad to see he came off better than his bike.

Good to see other competitors having a few duals with positions changing throughout the race. Well done to Kalila Bakes for stepping up the pace and taking out the B Grade.

We would like to thank property owners for once again getting behind the club and allowing us to race because without them it wouldn't be possible. It is also not possible without the track builders & TERC committee & the volunteers on the day – thanks for the flag people.

Cheers Clinton Sheridan #115

# Reminders/News

Well Done to the Terc Members on making the Tasmanian A4DE Junior and Senior Team.

Best of Luck!!

A reminder to all rider's... the pit area is to park your bike up so that means when ENTERING the pits ride slowly and cautiously we will not tolerate showing off to mates because it can just take someone to walk out in front of you or another rider and you could cause injuries to someone or damage to bikes it also goes without saying do not touch anyone else's bike or gear.

## NUMBERS ON BIKES

You must run your allocated Terc number failure to do so will result in no racing!!  
No exceptions.

## Track Building Volunteers

We Always Need YOUR HELP

Contact Kayne on 0407 434 110

New Updates and Changes  
Please read Events Calendar for new information and also start times have changed!

- You must have the appropriate Safety Gear.
- Bikes & gear must be clean
- You only get 1 x look lap doesn't matter how many bikes you ride

## Truck Drivers

Needed For up coming events please Contact Scott Murfet for further details on 04 19 139 529

All photos are available from

**Alli M Photos 2015—Alli Murfet**

**Jessica Cooper 2015**

**7fourmedia –Darren Brumby**

# 2015/2016 RACE CALENDAR

Note: venues & permits to be confirmed

Date	Event	Venue
19th to 24th October	A4DE	Wynyard Tasmania
1st November	8 Hour Enduro	Loyetea
22nd November	Junior Presentation Day	Spreyton Cider
12th December	Senior Dinner	Devonport Soccer Club
1st January	2016 Memberships Open	Online
29th January	AGM	TBC
7th February	Training Day	Loyetea
27th February	Junior Sprint	Oonah
28th February	Senior Sprint	Oonah
12th March	Junior Grass Track	Smithton
13th March	Senior Grass Track	Smithton
16th April	Junior Enduro-X	Roland
17th April	Senior Enduro-X	Roland

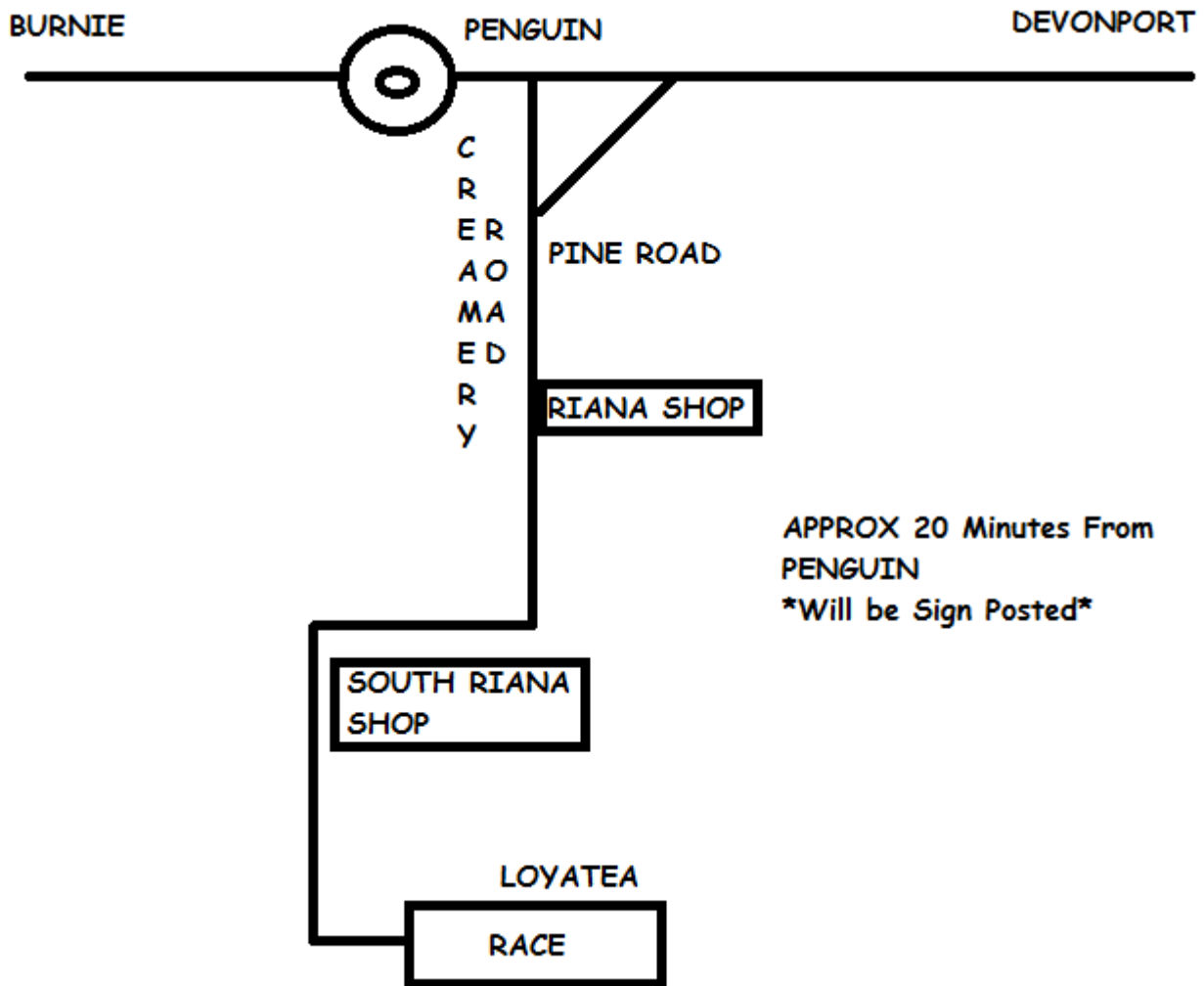
## Committee Meetings

Meetings are usually held on the Tuesday the week before an event.

Dates may change. Meetings are held at the TERC Office -  
Bay Drive Spreyton.

# Next Event – 8 HOUR ENDURO

Loyatea



Sunday 1st November

Seniors, Quads and Ladies

Entries & Scrutineering: 7.00am – 8.00pm

Racing Starts: 9:00am – 5:00pm

LATE ENTRIES WILL NOT BE ACCEPTED

Contacts: Kayne 0407 434 110

Memberships: Ashlea 0438 588 291

members@taserc.com